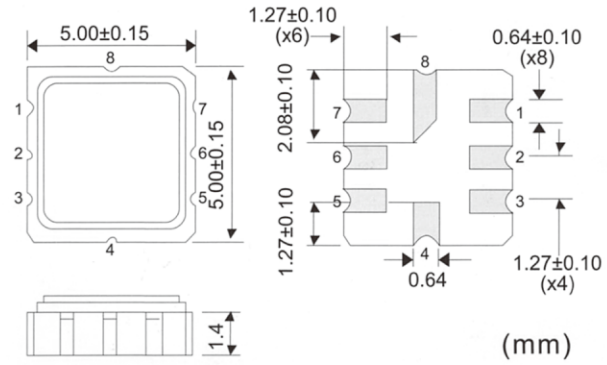


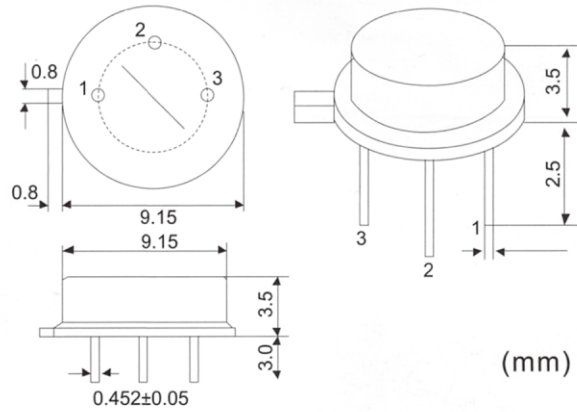
Package  
产品封装

**S-3**  
Dimensions/外形尺寸



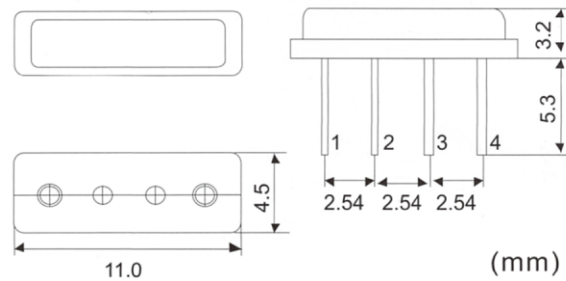
Package  
产品封装

**TO39**  
Dimensions/外形尺寸  
1 Input  
2 Output  
3 Ground



Package  
产品封装

**F11**  
Dimensions/外形尺寸  
1 Input  
2 Ground  
3 Ground  
4 Output



Item 项目	Sym	Notes	Min.	Typical	Max.	Unit	Package 封装
F303M	Fc	1.2	303.91	303.825	303.74	Mhz	F11 TO39 S-3
F311M			311.1475	311.0625	310.9775		
F315M			314.915	315.00	315.085		
F372M			372.415	372.50	372.585		
F418M			417.915	418.00	418.085		
F420M	Fc	1.2	420.215	420.30	420.385	Mhz	F11 TO39 S-3
F433M			433.853	433.92	434.005		
F447M			447.64	447.725	447.81		
Tolerance from Nominal 容差			ΔFc				
Insertion loss 插入损耗	IL	1		1.7	3.0	dB	
3dB Bandwidth 3dB 带宽	BW3	1.2	500	700	800	KHz	
Rejection 抑制点	At fo-21.4KHz Image 镜像点		40	50			
	At fo-10.7MHz(LO)		16	40		DB	